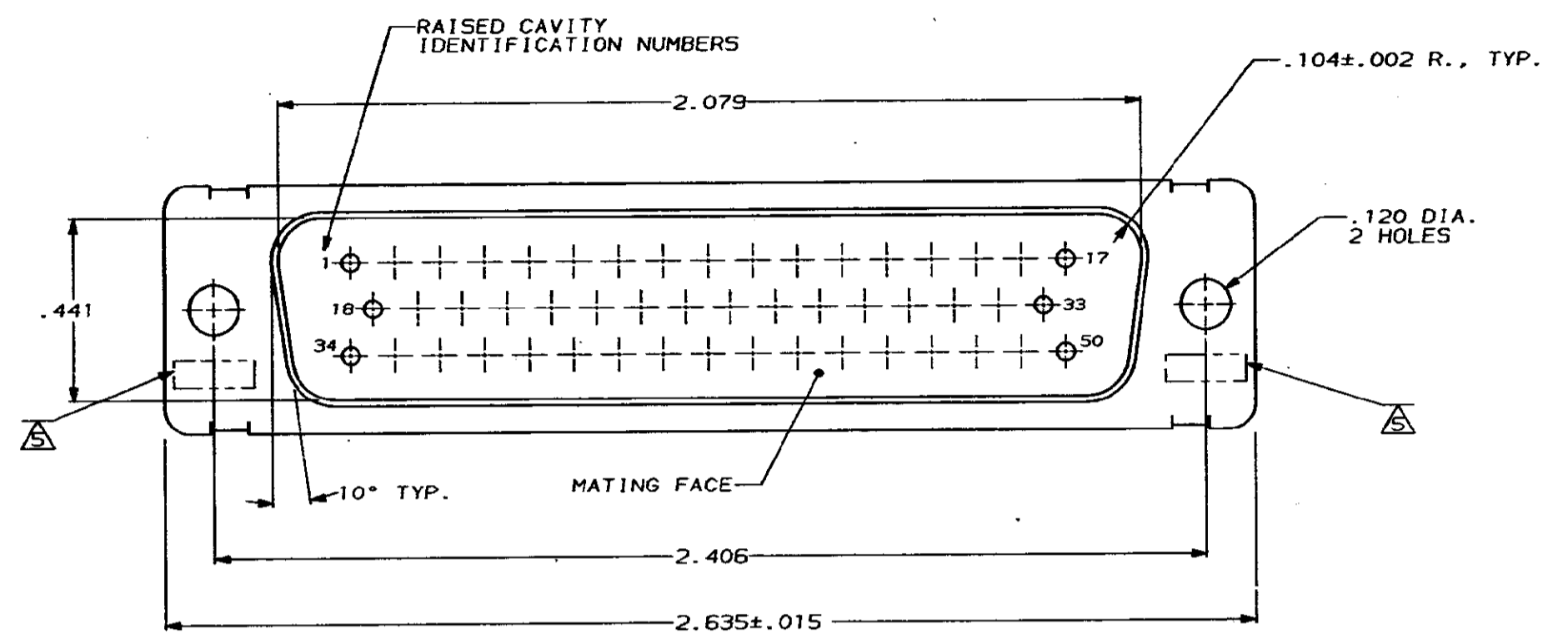
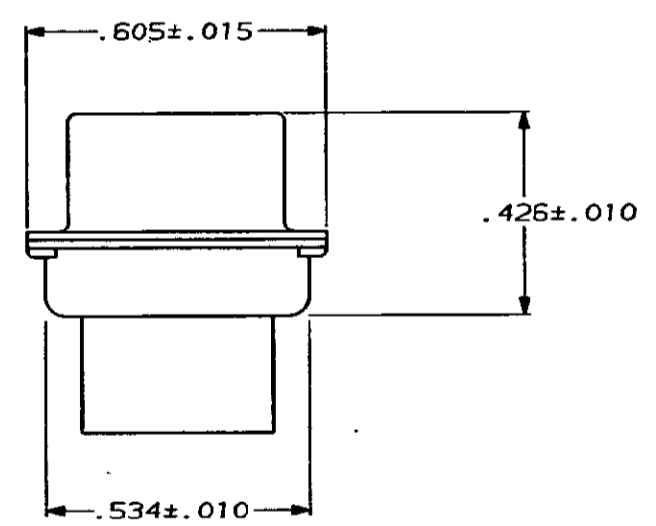
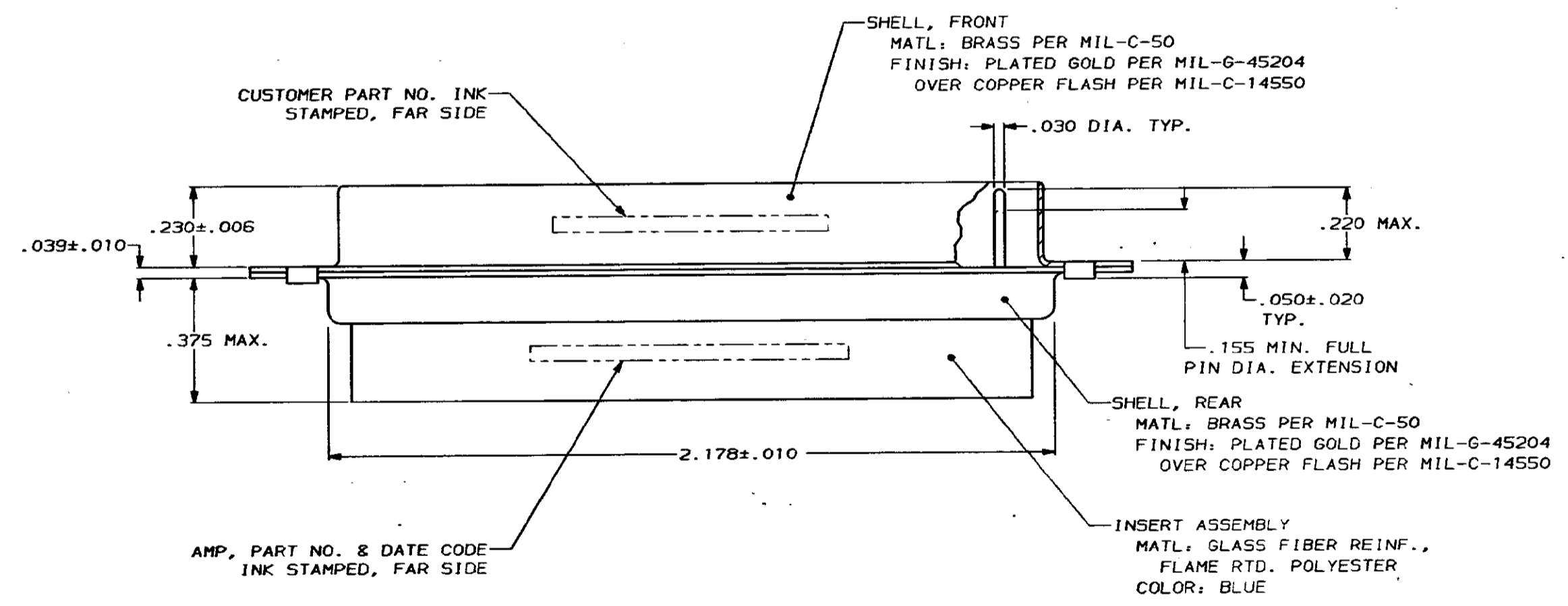


5066		REVISONS		DATE	APPO
LOC	DIST	P	F	ZONE	LTR
DF	DO				
		C		REDRAWN & REV PER DFO193 & R2827	J.A. 11-19-87
		D		REV-ECN DF-1034	MC 2-10-88



1. THIS PLUG WILL MATE WITH ANY 50 POSN., SIZE 5 RECEPTACLE IN THE AMPLIMITE SERIES.
  2. MAXIMUM WIRE INSULATION USED WITH THIS CONNECTOR IS .068 DIA.
  3. BE-CU RETENTION CLIPS ARE INCLUDED IN INSERT.
  4. CONNECTOR SUPPLIED WITHOUT CONTACTS; SHOWN FOR ILLUSTRATION ONLY.
- △ UL/CSA DESIGNATION STAMPED IN THIS AREA.



AS SHOWN: WITH TRW P/N 2A014-005-001 INK STAMPED	211622-5
AS SHOWN: WITH HUGHES P/N (1A01-010) INK STAMPED	211622-1

DESCRIPTION		PART NO	
DO NOT SCALE PRINT. UNLESS SPECIFIED DIMENSIONS IN INCHES TOLERANCES ON: 2 PLC DEC ± .005, 3 PLC DEC ± .005, ANGLES ± 0°30'		DR	J. M. 11-17-87
		CHK	F.C. BALLEW III
SEE CALLOUTS		APPD	11-30-87 F.C. BALLEW III
		APPD	11-30-87 D.J.M.
MATERIAL		PRODUCT SPEC	-
FINISH		APPLICATION SPEC	-
SEE CALLOUTS		WEIGHT	-
SIZE	D	FSCM NO	00779
DRAWING NO	211622		
SCALE	4:1	SHEET	1 OF 1